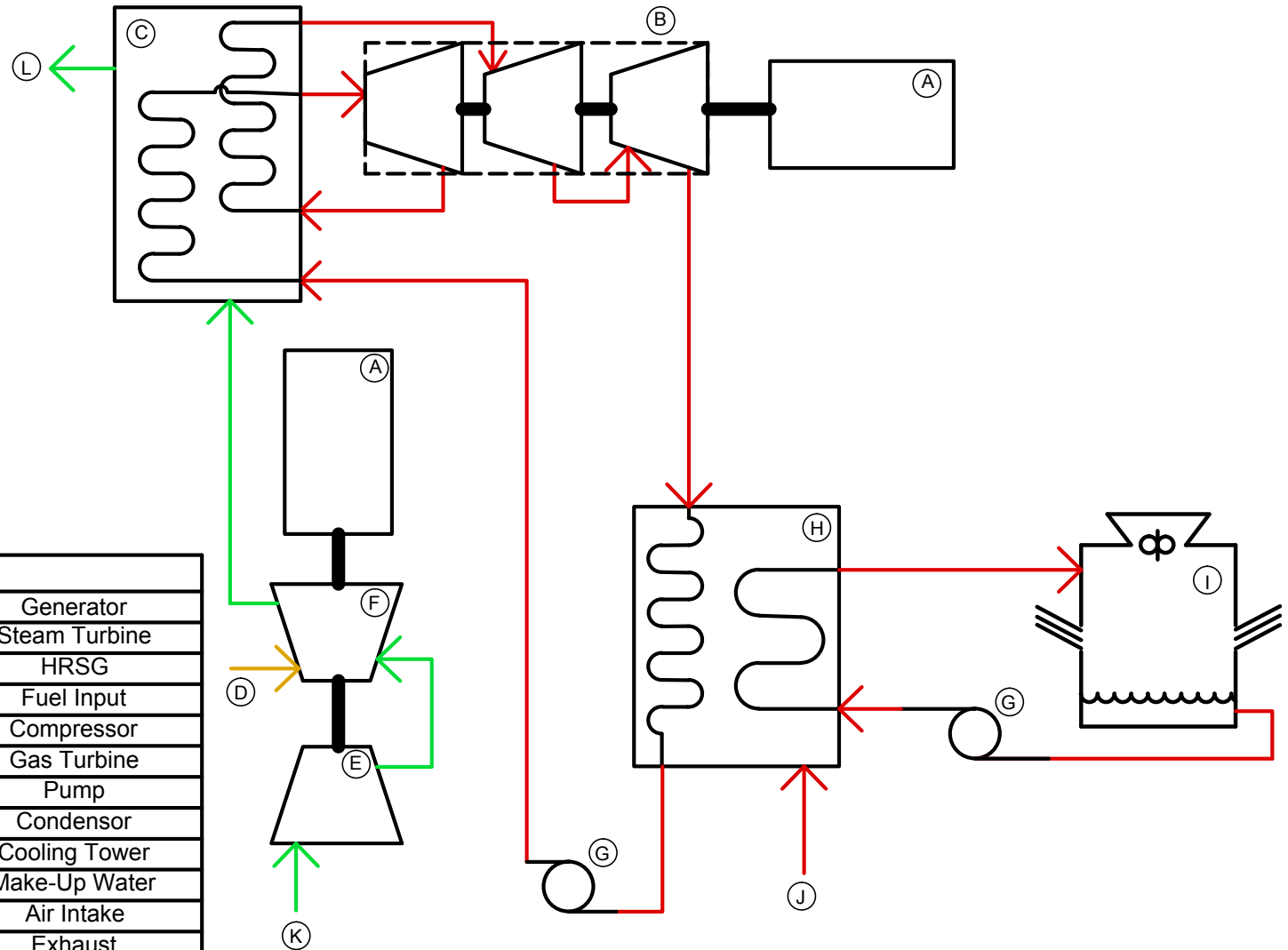
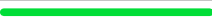





Faribault Energy Park



| Legend | |
|-------------------------------------------------------------------------------------|---------------|
| A | Generator |
| B | Steam Turbine |
| C | HRSG |
| D | Fuel Input |
| E | Compressor |
| F | Gas Turbine |
| G | Pump |
| H | Condensor |
| I | Cooling Tower |
| J | Make-Up Water |
| K | Air Intake |
| L | Exhaust |
|  | Air Line |
|  | Water line |
|  | Gas Line |
|  | Component |